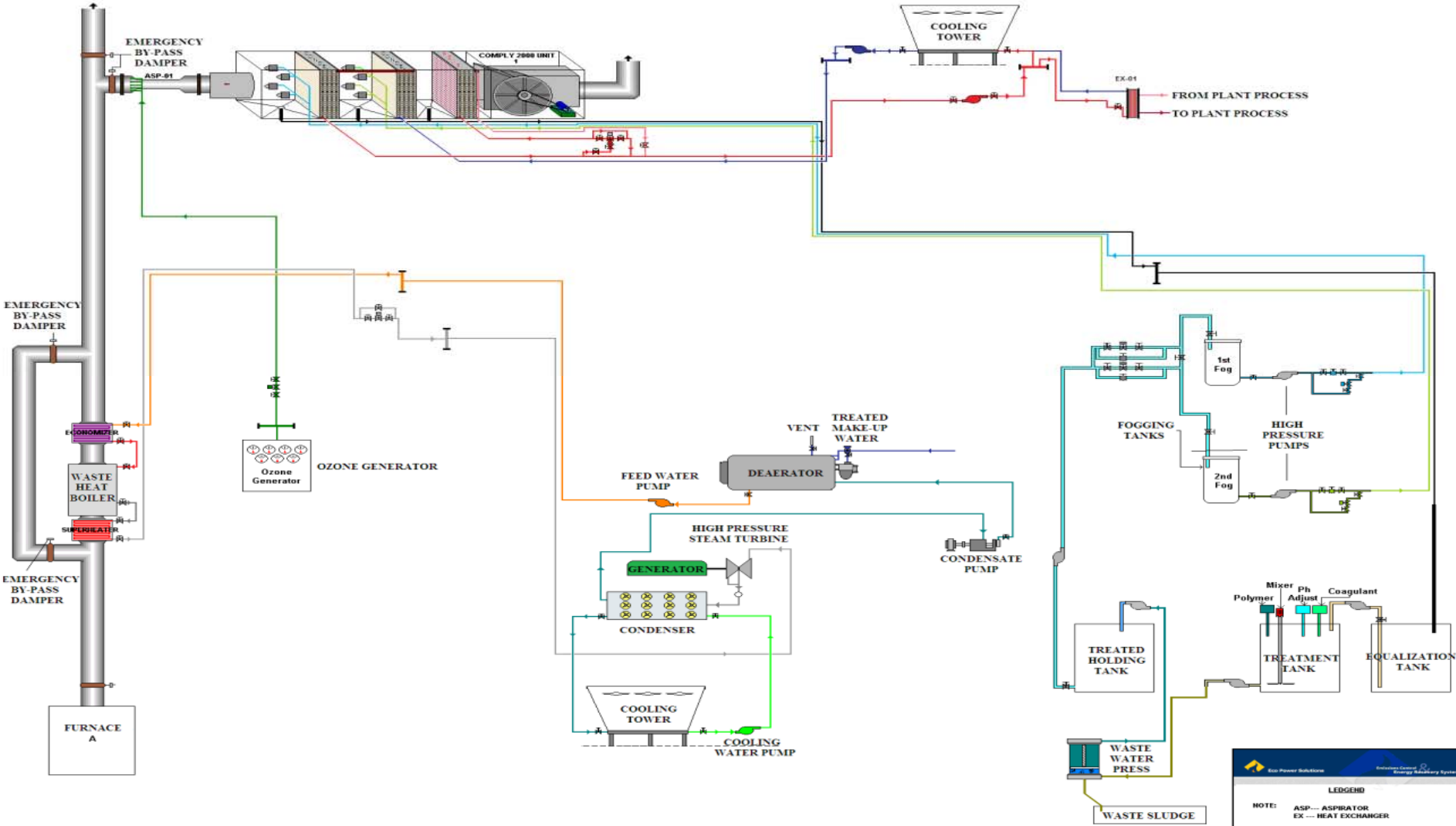


COMPLY 2000 UNITS AND STEAM TURBINE CONCEPTS FOR SINGLE FURNACES



LEDGER	
NOTE: ASP --- ASPIRATOR EX --- HEAT EXCHANGER	
© 2009 Eco Power Solutions	
DWG XAMP 1	REVISION # 0
DATE:	SCALE: MTS
DRAWN BY: W.LITTLEFORD	CLIENT: